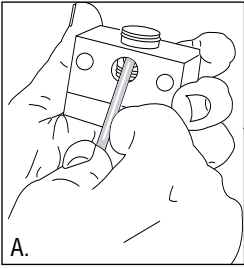


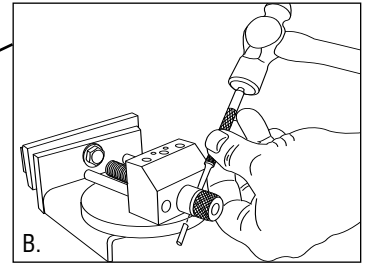


# Multi-Purpose Vice for BenchMate System

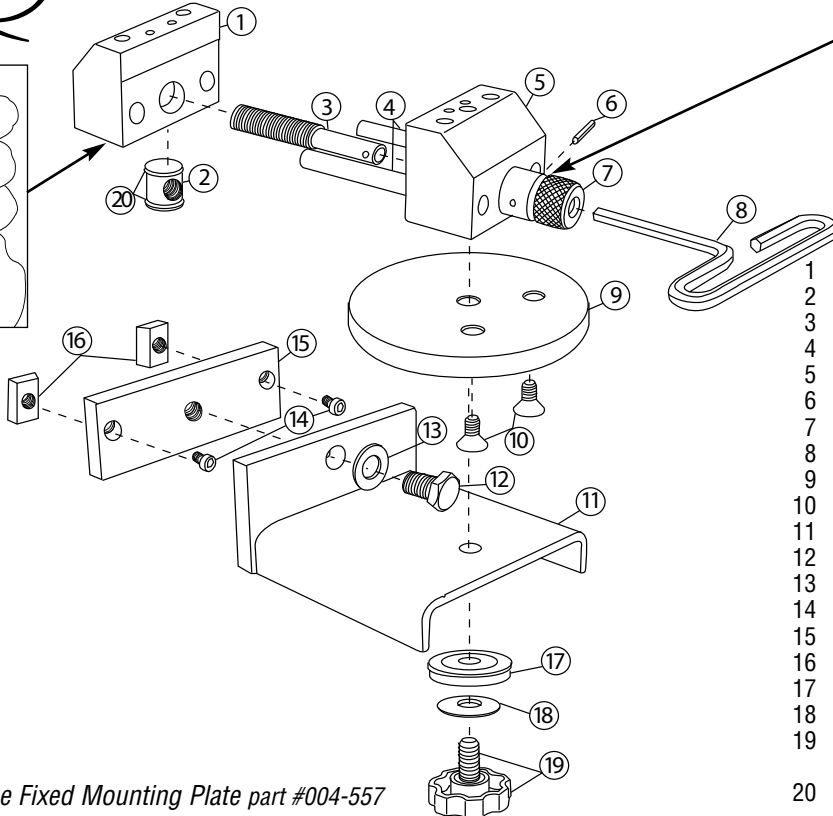
Product # 004-628



A. Pry the Threaded Pin (2) out of the Movable Jaw (1) with any type of long device.



B. To separate the Knob Assembly, you must take a hammer and a pin punch and drive out the little roll pin (6).



- 1 004-385 Movable Jaw
- 2 003-065 Threaded Pin (MB Jaw)
- 3 004-241 Screw
- 4 004-239 Guide Rod (2)
- 5 004-384 Fixed Jaw
- 6 002-174 1/8 x 3/4 Roll Pin
- 7 004-240 Knob
- 8 002-091 T Handle 1/4 Allen Wrench
- 9 004-242 Plate
- 10 002-293 5/16 - 18 x 5/8 FHSM8
- 11 004-627 Pivot Weld mount
- 12 002-809 3/8 - 24 x 3/4 HHB blk
- 13 002-447 Washer - 3/8 zink plate
- 14 002-217 10 - 32 x 3/8 SHCS (2)
- 15 004-086 Straight Mounting Plate
- 16 004-080 Beveled Retaining Plate (2)
- 17 004-089 Flat Friction Washer
- 18 002-511 Spring Disc
- 19 002-808 3/8 - 24 x 3/4 SHCS blk
- 002-512 Knob, Black Rosett
- 20 002-127 O-ring, .625 x .75 x .062 (2)

This vise requires the Fixed Mounting Plate part #004-557

QTY.	PART NO.	DESCRIPTION	COST EACH	AMOUNT
	004-559	Optional Mounting Adapter <i>For attaching Fixed Mounting Plate to curved or thin bench tops</i>	\$22.00	
	004-557	Fixed Mounting Plate	\$13.98	
	003-520MPV	Attachment Set for Multi-Purpose Vise <i>Includes 30-pc. attachment set, two pin plates and 4 jaw pins</i>	\$89.00	
	003-662	1/4" Hex Drive Key with Knurled Aluminum Handle <i>Low profile design that is handy and easy to grip. Replacement for the T-handle.</i>	\$14.60	

Prices subject to change without notice. **TOTAL DUE:**

Ship To: Company \_\_\_\_\_  
 Name \_\_\_\_\_  
 Shipping Address \_\_\_\_\_  
 City \_\_\_\_\_ State \_\_\_\_\_ Zip \_\_\_\_\_  
 Phone \_\_\_\_\_

**Shipping:** Enclose money order or personal check and receive free ground shipping in lower 48 states. Freight and handling costs will be charged to credit card orders.

Sent US Mail or UPS ground unless otherwise requested. *Please send via:*

**METHOD OF PAYMENT:**

- Check or Money Order (For personal check allow 7 days to process)
- Charge my account (listed firms only)
- Mastercard                       Visa
- American Express                 Discover

Card No. \_\_\_\_\_ Exp. \_\_\_\_\_ / \_\_\_\_\_

\_\_\_\_\_  
Your Signature



P.O. Box 796  
126 Second Street  
Oakland, CA 94604

**510.832.0355 - 800.772.3456**  
**510.834.6217 - 800.900.3734 fax**